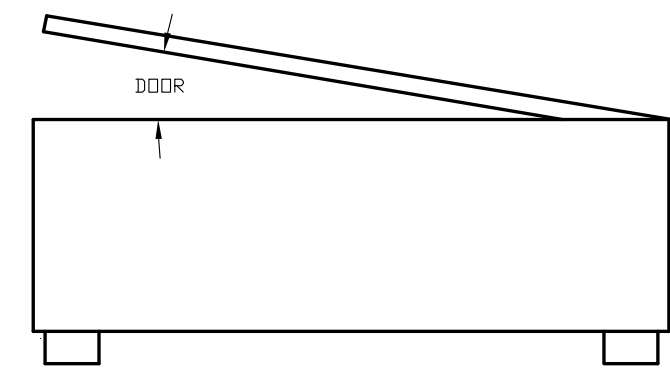
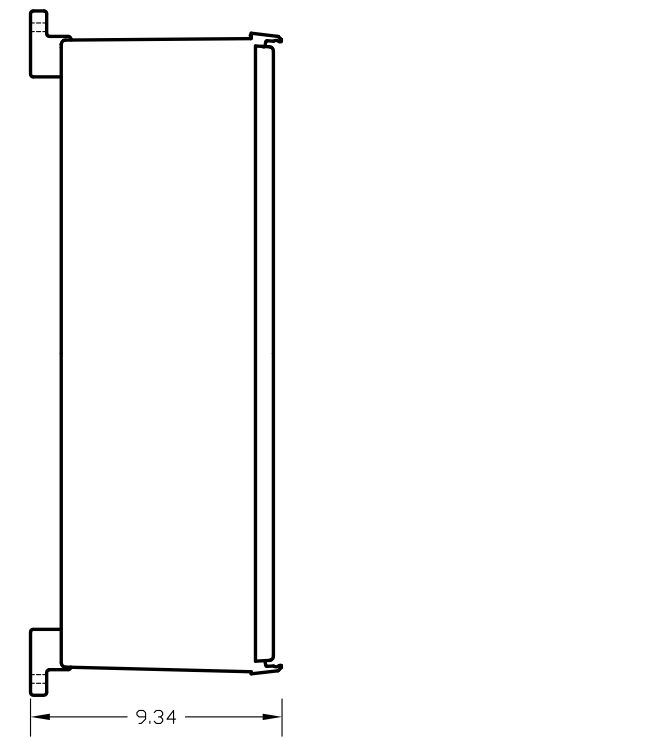
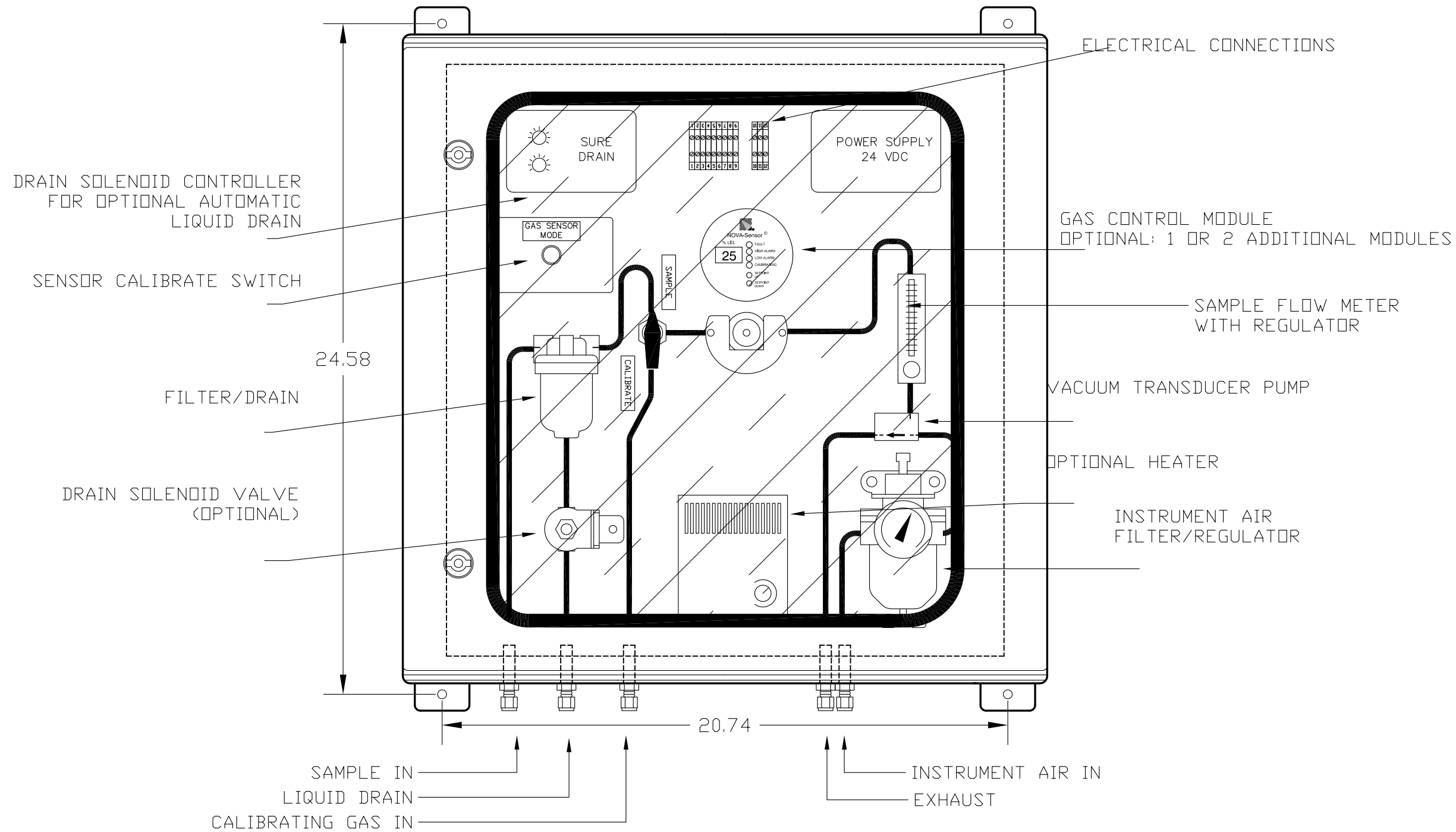


1 2 3 4 5 6 7 8

A

FRONT VIEW

SIDE VIEW



TOP VIEW

MATERIAL		This drawing and the data thereon is the property of Safety Systems Technology and shall not be used by others for procurement or manufacture without written permission.		SAFETY SYSTEMS TECHNOLOGY (NV) INC TEMECULA, CALIFORNIA	
FINISH		APPROVALS		DRAWING NO. 80208	
CHANGES SINCE LAST REVISION		DATE		REV	
DIMENSIONS ARE IN INCHES		DRAWN		SCALE 1" = 3.00"	
FRACTIONS ± 1/64		WF HANWAY		SHEET 1	
DECIMALS .XX ± 0.03		10/6/09		CONT ON 2	
ANGLES ± 1/2°		FIRST ISSUE			
THREAD CLASS 2A OR 2B		THIS REV			
MACH SURF 125/					