

# Explosion Proof Audible Signal - 110 dB (A) Series YA60



www.stahl.de



14718E00

- > Omnidirectional high output sounder 110 dB (A) / 1 m
- > 2 stage alarm, independently selectable 2nd stage
- > IP66 rated as standard
- > Aluminium enclosure with stainless steel fasteners
- > 32 selectable tones meeting international regulations
- > Sound selection via DIL switch
- > Lens guard and mounting bracket supplied as standard
- > Telephone initiate option available



Yodalex range  
Omnidirectional audible signal designed for use in hazardous or harsh environments.

Zone	ATEX						Zone	Class I (NEC 505) (NEC 506)						Division	Class I		Class II		Class III	
	0	1	2	20	21	22		0	1	2	20	21	22		1	2	1	2	1	2
For use in		x	x		x	x	For use in		x	x		x	x	For use in	x	x	x	x	x	x

### Explosion Protection

#### Marking

##### IECEX

Gas explosion protection

IIB version: Ex d IIB T4 (Ta -35°C to +60°C)

Dust explosion protection

IIB+H<sub>2</sub> version: Ex d IIB+H<sub>2</sub> T4 (Ta -20°C to +60°C)

IIB version: Ex tD A21 IP66 T135°C (Ta -35°C to +60°C)

IIB+H<sub>2</sub> version: Ex tD A21 IP66 T135°C (Ta -35°C to +60°C)

##### Europe (ATEX)

Europe (ATEX)

IIB version: Ex II 2 GD Ex d IIB T4 (T6 on request)

IIB+H<sub>2</sub> version: Ex II 2 GD Ex d IIB+H<sub>2</sub> T4 (T6 on request)

#### Certificates

##### IECEX

IIB version: IECEX BAS 05.0086 X

IIB+H<sub>2</sub> version: IECEX BAS 05.0087X

##### Europe (ATEX)

IIB version: Baseefa 02ATEX0212X

IIB+H<sub>2</sub> version: Baseefa 02ATEX0222X

##### Other approvals

Canada (CUL), Russia (GOST-R), USA (UL), Brazil (INMETRO)

**WebCode YA60A**

# Explosion Proof Audible Signal - 110 dB (A)

## Series YA60



**Selection Table**

Version	Group	Rated operational voltage	Order number	Art. no.	Weight
YA60 Sounder, ATEX certification, standard devices	IIB + H <sub>2</sub>	24 V DC	YA60/C/D/EU	205191	5.400
		115 V AC	YA60/C/L/EU	205199	5.400
		230 V AC	YA60/C/N/EU	205200	5.400
YA60 Sounder, UL certification, standard devices	IIB + H <sub>2</sub>	24 V DC	YA60/B/D/UL	205202	5.400
		115 V AC	YA60/B/L/UL	205204	5.400
		230 V AC	YA60/B/N/UL	207054	5.400
YA60 Sounder, IECEx certification, standard devices	IIB + H <sub>2</sub>	24 V DC	YA60/C/D/IN	205197	5.400
		115 V AC	YA60/C/L/IN	212393	5.400
		230 V AC	YA60/C/N/IN	212394	5.400
YA60 Sounder, GOST R certification, standard devices	IIB + H <sub>2</sub>	24 V DC	YA60/C/D/RU	205198	5.400
		115 V AC	YA60/C/L/RU	212395	5.400
		230 V AC	YA60/C/N/RU	212396	5.400

Note Variations in gas group and voltage are available, please use the table below to order

**Selection Table**

Version	Variations	Order Number
YA60 Sounder, devices acc. to specification	Type code: please fill in fields	YA60 / - / - / - / -
	<b>Gas group</b>	
	EU, IN and RU units IIB	B
	IIB + H <sub>2</sub>	C
	UL units C, D gas groups	C
	B gas groups	B
	<b>Rated Operational Voltage</b>	
	24 V DC	D
	48 V DC	F
	115 V AC	L
	230 V AC	N
	<b>Certification</b>	
	ATEX	EU
	UL	UL
	IECEX	IN
	GOST-R	RU
	<b>Additions</b>	
	activation telephone initiate	TI
	AC voltages only	

Distributed by:  
**Safety Systems Technology, Inc.**  
 23282 Mill Creek Drive  
 Suite 215  
 Laguna Hills, CA 92653 USA  
 +1-949-583-1857 Phone  
[www.safetysys.com](http://www.safetysys.com)

# Explosion Proof Audible Signal - 110 dB (A)

## Series YA60



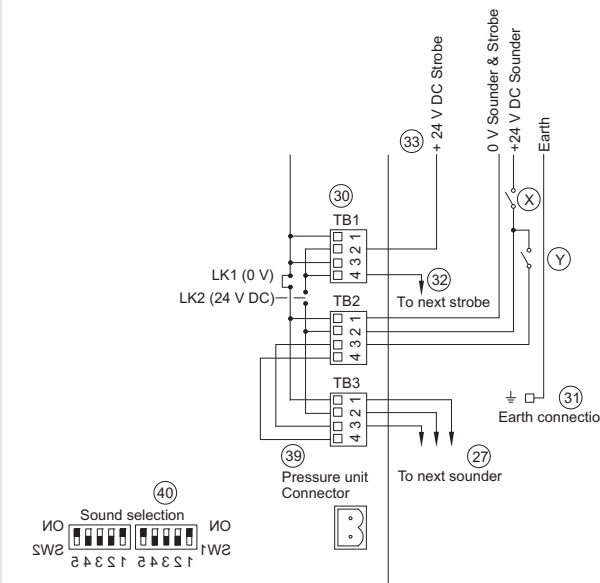
### Technical Data

#### Electrical data

Rated operational voltage	24 V DC, 115 or 230 V AC	
Current consumption	24 V DC	IECEX, ATEX, UL, GOST 350 mA
	115 V AC	IECEX, ATEX, UL, GOST 110 mA
	230 V AC	IECEX, ATEX, UL, GOST 55 mA

Schematic

#### Standard DC alarm connection and sound signal selection



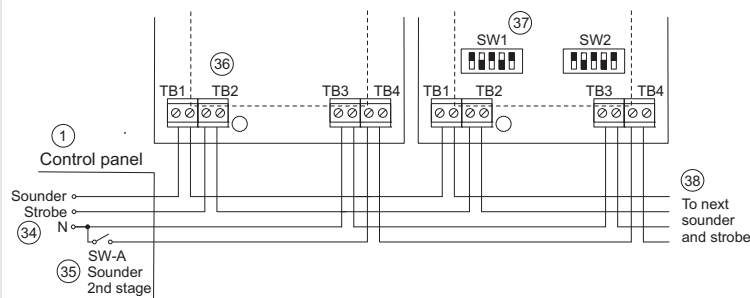
14809E00

#### NOTE:

Two stage alarm by third core.  
Strobe shown with common 0 V.  
Line monitoring by reversal.  
Select alarm stage 1 on SW1.  
Select alarm stage 2 on SW2.

The two stage control always operates as follows:  
The first stage sounds by supplying volts to a unit via control switch 'X'. This switch remains on and the second stage signal is controlled by switching volts to the third terminal via switch 'Y'.

#### AC alarm connection and sound signal selection



14810E00

#### Legend

- 1 = External power supply, provided by user
- 27 = Connections to additional sounder/horn
- 30 = Terminal blocks for incoming and outgoing wiring
- 31 = Internal earth terminal
- 32 = Connections to additional strobe/beacon
- 33 = Control voltage for strobe/beacon (connection to TB1), common voltage for both strobe/beacon and sounder/horn (connection to TB2), control voltage for sounder/horn (connection to TB2)
- 34 = Live voltage for sounder/horn (connection to TB1), live voltage for strobe/beacon (connection to TB2), common neutral for both strobe/beacon and sounder/horn (connection to TB3)
- 35 = Switch for second stage alarm
- 36 = Terminal blocks for incoming and outgoing wiring
- 37 = Dual in line sound selection switches, situated on reverse
- 38 = Connections to additional sounder/horn and strobe beacon
- 39 = Connecting socket used for pressure unit, situated on reverse of the PCB
- 40 = Dual in line sound selection switches, situated on reverse of PCB

# Explosion Proof Audible Signal - 110 dB (A)

## Series YA60



### Technical Data

#### Acoustic data

Volume	110 db (A) / 1 m
Sound selection	via DIL-switch

#### Ambient conditions





Ambient temperature	version			
	IIB	Europe	T4	- 35 ... + 60 °C
			T6	- 35 ... + 40 °C
	IIB + H <sub>2</sub>	Europe	T4	- 20 ... + 60 °C
T6			- 20 ... + 40 °C	

#### Mechanical data

Material	aluminium, seawater resistant
Enclosure	ABS, flame retardant
Horn	stainless steel
Assembly parts	stainless steel
Degree of protection	IP66, 4X
Cable entries	2 cable entries, equipped with stopping plug (1x) and dust cap (1x) UL devices: equipped with M20 / 1/2" adapters (2x)

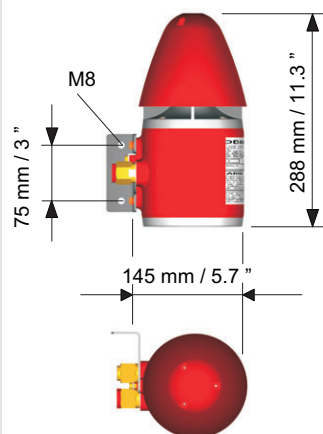
H2

### Accessories and Spare Parts

Designation	Illustration	Description	Group	Order number	Art. no.	WebCode
Cable gland		Compound Barrier Cable Glands Ex d and Ex e for all Types of Unarmoured Cables	IIB + H <sub>2</sub> and IIC	<b>8163/2-20-PXSS2K-M20</b>	<b>138888</b>	8163J
		Compound Barrier Cable Glands Ex d and Ex e for all Types of Armoured Cables	IIB + H <sub>2</sub> and IIC	<b>8163/2-20-PX2K-M20</b>	<b>138875</b>	8163I
		Cable Glands Ex d and Ex e for Unarmoured Cables	IIB	<b>8163/2-20-A2F-M20</b>	<b>138772</b>	8163A
		Triton CDS Cable Glands Ex d and Ex e for all Types of Armoured Cables	IIB	<b>8163/2-20-T3CDS-M20</b>	<b>138902</b>	8163K

Note Approvals of cable entries have to be observed.

### Dimensional Drawings (All Dimensions in mm / inches) - Subject to Alterations



13973E00

We reserve the right to make alterations to the technical data, dimensions, weights, designs and products available without notice. The illustrations cannot be considered binding.