

Industrial Audible Signal - 106 dB (A)
Series YA40



www.stahl.de



- > Max sound output 106 db (A) / 1 m
- > IP65 rated as standard
- > 32 selectable tones meeting international regulations
- > Flame retardant ABS enclosure
- > Stainless steel fixings
- > 2 stage alarm
- > Multi stage unit with up to 8 individually selectable stages is available
- > Complies with BS 5839
- > Low current consumption
- > Robust, reliable and simple to install



14569E00

Yodalarm range
 Compact multi-purpose audible signalling device designed for use in industrial applications.

Approvals

Certificates

	UL 464
	C22.2 No. 205-M1983
 0086-CPD-96705	BS EN 54-3 : 2001 incorporates amendment A 1 : 2002 + A 2 : 2006
 KM 91259	BS EN 54-3 : 2001 incorporates amendment A 1 : 2002 + A 2 : 2006
	VdS 2504 (12/96), VdS 2203 (03/01), VdS 2344 (12/05), Cert No. G28702, VdS approval applies to selected models only. Contact sales for details, DIN EN 54, part 3 (10/01).
Multi stage units do not carry these approvals. They are designed in accordance with BS EN54-3	

Distributed by:
Safety Systems Technology, Inc.
 23282 Mill Creek Drive
 Suite 215
 Laguna Hills, CA 92653 USA
 +1-949-583-1857 Phone
www.safetysys.com

WebCode YA40A

Industrial Audible Signal - 106 dB (A)

Series YA40



Selection Table

Version	Enclosure colour	Rated operational voltage	Order number	Art. no.	Weight
YA40 Sounder, , BS EN 54-3, standard devices	red normal (RN)	24 V DC	YA40/D/RN/WR	204330	0.250
		115 V AC	YA40/L/RN/WR	204354	0.350
		230 V AC	YA40/N/RN/WR	204364	0.350
YA40 Sounder, UL certification	red normal (RN)	24 V DC	YA40/D/RN/UL	204869	0.250
		115 V AC	YA40/L/RN/UL	211983	0.350
		230 V AC	YA40/N/RN/UL	211984	0.350
YA40 Sounder, VDS certification	red normal (RN)	24 V DC	YA40/D/RN/WR/VDS	211985	0.250
YA40 Multi stage unit	red normal (RN)	24 V DC	YA40/D/RN/WR/MS	212362	0.250

Note Other voltages and variants are available. Please contact your local sales office for more details

Technical Data

Electrical data

Rated operational voltage	standard: 12, 24 or 48 V DC 115 or 230 V AC $\pm 10\%$ 12 V DC versions will produce approx. 6 dB less output multi stage unit: 24 V DC $\pm 10\%$
Current consumption	24 V DC - 35 mA* 115 V AC - 25 mA* 230 V AC - 13 mA* * at tone 1 ** Voltages do no apply to multi stage units
Line monitoring	line monitoring excludes additional voltage options: <ul style="list-style-type: none"> • 3 wire, 2 stage or 2 wire, single stage: monitor via reverse polarity • 2 wire, 2 stage i.e. bi-polar inputs: monitor via threshold (applied voltage < 1 V) multi stage unit: 2 wire polarised, single stage: monitor via reverse polarity

Distributed by:
 Safety Systems Technology, Inc.
 23282 Mill Creek Drive
 Suite 215
 Laguna Hills, CA 92653 USA
 +1-949-583-1857 Phone
www.safetysys.com

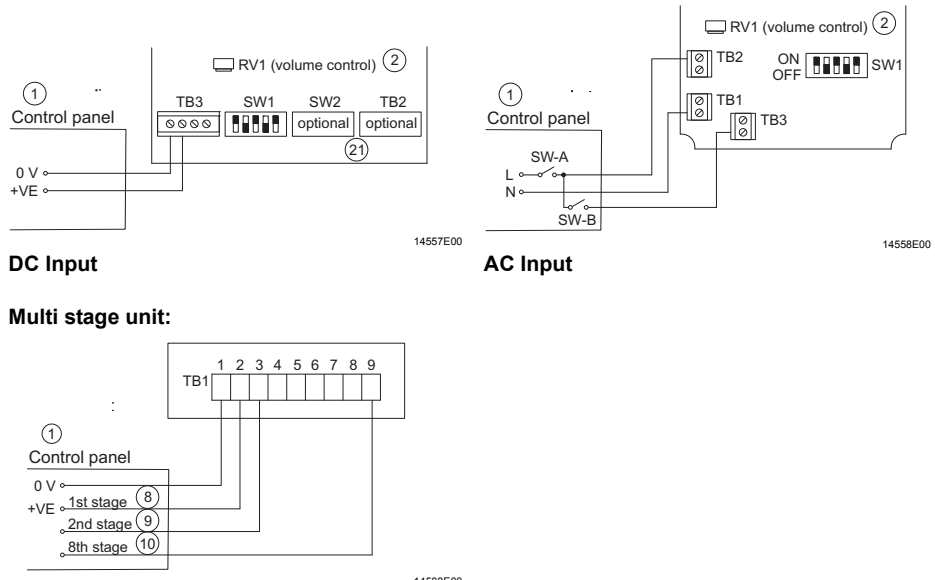
Industrial Audible Signal - 106 dB (A)

Series YA40



Technical Data

Schematic



for all stages connect 0 V to terminal 1, for 1st stage connect +VE to terminal 2, for 2nd stage connect +VE to terminal 3, etc., up to 8th stage with +VE connected to terminal 9
 Note: only appropriate 2 wires are required to be connected for each stage.
 for AC units 0 V = NEUTRAL and +VE = LIVE.
 for sound selection all stages have independently selectable 5 way DIL switches.
 SW1 = stage 1, SW2 = stage 2, etc.

Legend

- 1 = External power supply, provided by user
- 2 = Volume control
- 8 = Supply voltage for independent first stage
- 9 = Supply voltage for independent second stage
- 10 = Supply voltage for independent eighth stage
- 21 = SW2 is optional for independent 2nd stage. TB2 is optional for 2nd set of terminal blocks.

Acoustic data

Volume	106 db (A) / 1 m volume control allowing 18 db (A) adjustment
Sound selection	via DIL switch Optional independent 2nd stage via second DIL switch (DC only) (not for multi stage unit)

Ambient conditions

Operating temperature range	UL: - 35 ... + 66 °C EN 54-3: - 25 ... + 55 °C VdS: - 25 ... + 40 °C
Storage temperature	- 40 ... + 70 °C
Max. relative humidity	95 % at 40 °C

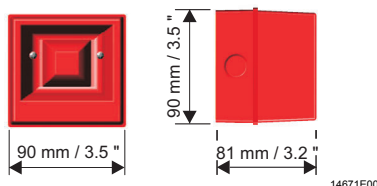
Mechanical data

Material	ABS, flame retardant
Enclosure	IP 65 standard on all units

Assembly / Installation

Assembly	Should be mounted to a reasonably flat wall or bulkhead of suitable material using the internal fixing holes. The recommended fixing screws are dia. 4.5 mm max. x 20 mm long. To maintain the integrity of the weather seal, the cable entry must be fitted using a suitable sealed gland.
----------	---------------------------------------------------------------------------------------------------------------------------------------------------------------------------------------------------------------------------------------------------------------------------------------------

Dimensional Drawings (All Dimensions in mm / inches) - Subject to Alterations



We reserve the right to make alterations to the technical data, dimensions, weights, designs and products available without notice. The illustrations cannot be considered binding.